



June 13, 2022

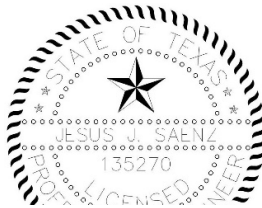
ADDENDUM #1: *Faudree Road Improvements (Job No. 190622-30) – Odessa, Texas*

Below is a brief description of the contents of this addendum. The Proposer is encouraged to review the plans and bid documents carefully:

Description of Change(s)

Pre-Proposal meeting questions regarding Plans, Specifications and Contract Documents for Faudree Road Improvements (Job No. 190622-30). These sheets are labeled Addendum No. 1.

End of Addendum #1



Jesus Saenz

Addendum #1
Faudree Road Improvements
SH 191 to Yukon Road
06-13-2022

- Q1: The TxDOT July letting has been rescheduled to June 29/30, and Monday is the July fourth. Can the bid date be changed to the 8th?
- A1: **The original bid date was scheduled for Tuesday, June 28th, 2022 and will be rescheduled to Thursday, July 7th, 2022.**
- Q2: With no existing contours and only existing centerline elevation, earthwork evaluation is difficult. Will 3D electronic files be provided? If yes, please provide as soon as possible. If no, can existing contours be provided on the plan & profile sheets?
- A2: **The City of Odessa will upload the existing surface in both .DWG format and .XML format to the City of Odessa project website.**
- Q3: Can you provide a plan & profile sheets with existing contours for the channel excavation?
- A3: **See response #2 above.**
- Q4: Can you provide cores for identification of rock depth?
- A4: **The City of Odessa will upload the Geotech report to the City of Odessa project website.**
- Q5: Bid item #4, what depth thickness (base/hot mix) was used for removal before excavation and embankment quantities were determined?
- A5: **Calculated earthwork quantities do not account for a depth thickness being removed for the existing pavement section.**
- Q6: Bid item #11, what percentage of cement is used for subgrade?
- A6: **3% Cement**
- Q7: Bid item #11/#12 appears to include only the subgrade from lip to lip under the HMAC pavement. What is required under the concrete (C & G, driveways, intersections, rip-rap, sidewalk & CRCP)? How is it paid?
- A7: **Contractor is to follow Section 132.3.4.1 Ordinary Compaction and shall be paid under City Bid Item #5 (TxDOT Item 0110 Excavation) and City Bid Item #6 (TxDOT Item 0132 Embankment).**
- Q8: Bid item #27, is cast-in-place required or can pre-cast be used?
- A8: **Bid Item #27 requires cast-in-place due to the culverts needing to share walls to fit within the proposed channel section.**
- Q9: Bid item #49, calls for reinforcing, sheet 81 details do not show reinforcing. What is required? Detail?
- A9: **Bid Item #49 is to follow City Standard Curb and Gutter found on Sheet 81 of the plans. No reinforcement will be required.**

- Q10: Bid item #50, calls for non-reinforcing, sheet 79 shows reinforcing. What is required?
A10: **Bid Item #50 does not include reinforcing. Sawtooth Reinforcement Detail found on Sheet 79 is correct and applicable only over the cast-in-place box culverts. Bid Item #50A1 has been added to the Bid Tabs to separate sawtooth curb quantities requiring reinforcement as shown in plans.**
- Q11: Bid item #99, SWPPP what is required? No details for determining items & quantities.
A11: **A Stormwater Application must be completed and submitted. You can find the application at the website <https://records.odessa-tx.gov/fmi/webd/> under Public Records. Within the SWPPP, a site map is required. The site map can be prepared from the construction drawings by marking up all BMP's/Erosion controls and/or a detailed explanation of the control plan during the construction activity. The site plan is a living document and can be amended as conditions change during construction.**
- Q12: Sheet 17/18, require temporary pavement in phase 1, 2, 3, 4, 6, 7, 8, & 9. How is this paid? What is the pavement section (base/hot mix)? Can you show locations and quantities?
A12: **Temporary pavement section shall consist of 4" of HMAC TY B over compacted subgrade. Temporary pavement will be considered subsidiary to Bid Item #98 Traffic Control. Temporary pavement quantities will be based on contractor's detailed TCP to be submitted to the City for approval prior to construction.**
- Q13: Sheet 90, Transition Slab, how is this paid? Locations? Quantity?
A13: **Transition slabs will be considered subsidiary to Bid Item #13 Install 8" CRCP. There are two proposed locations for transition slab installation located on plan sheets 48 and 49 at Station 104+00 and Station 107+50.**
- Q14: Please provide Geotech information.
A14: **See response #4 above.**
- Q15: Alternate #1: The pavement section changes from 11" to 9", what are the revised excavation and embankment quantities?
A15: **Revised excavation and embankment quantities are provided in the revised Bid Tabs.**
- Q16: Alternate #1: Bid item #11, What percentage of cement was used for the base?
A16: **3% Cement**
- Q17: Alternate #1: Bid items *12/12, *65/65, & *66/66 delete and add the same items/quantities. Can they be deleted from the proposal?
A17: **These items remove the full base bid pavement section items and quantities to allow for the contractor to provide alternate pavement section unit prices to account for any changes in construction needed by the contractor.**
- Q18: Alternate #2: The pavement section changes from 11" to 7", what are the revised excavation and embankment quantities?
A18: **See response #15 above.**

Q19: Alternate #2: Bid items *11/11, *12/12, & *66/66 delete and add the same items/quantities. Can they be deleted from the proposal?

A19: **See response #17 above.**

Q20: Contractor states that they can't get concrete in a timely manner for the concrete stabilized base.

A20: **Contractor's start date for construction, working days for construction, and pricing should reflect this.**

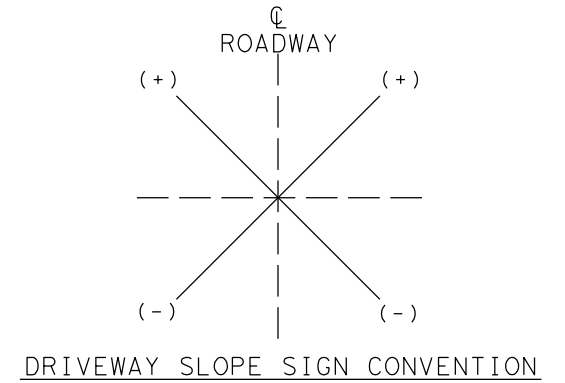
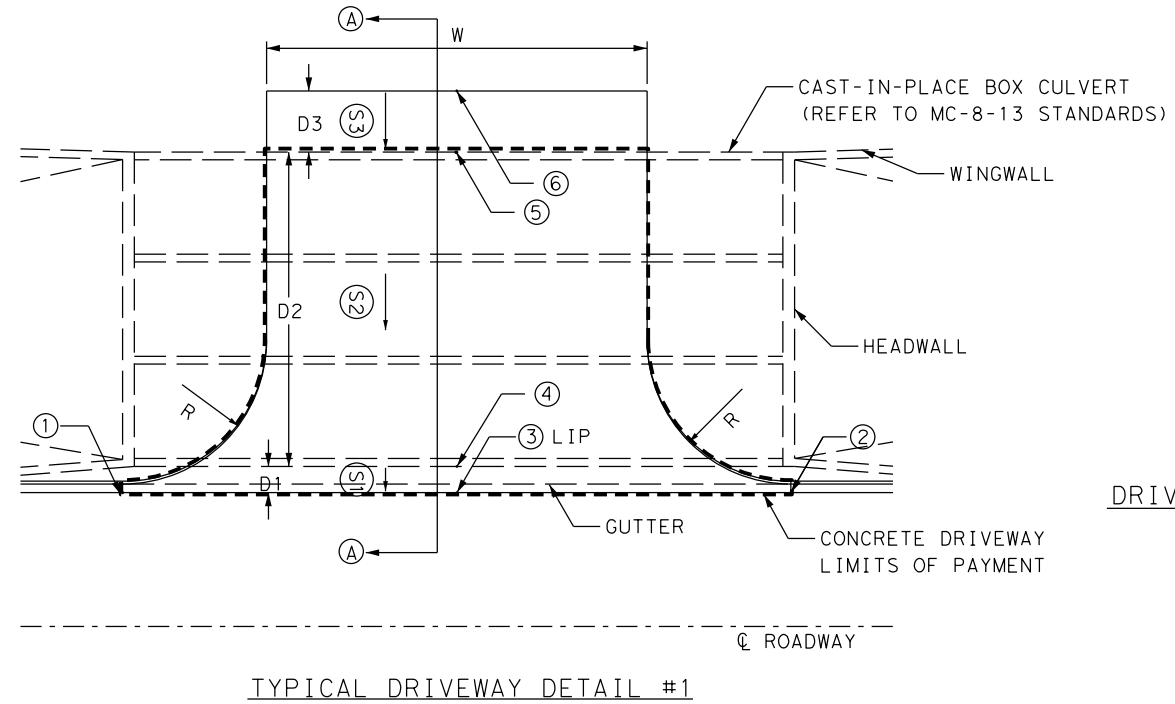
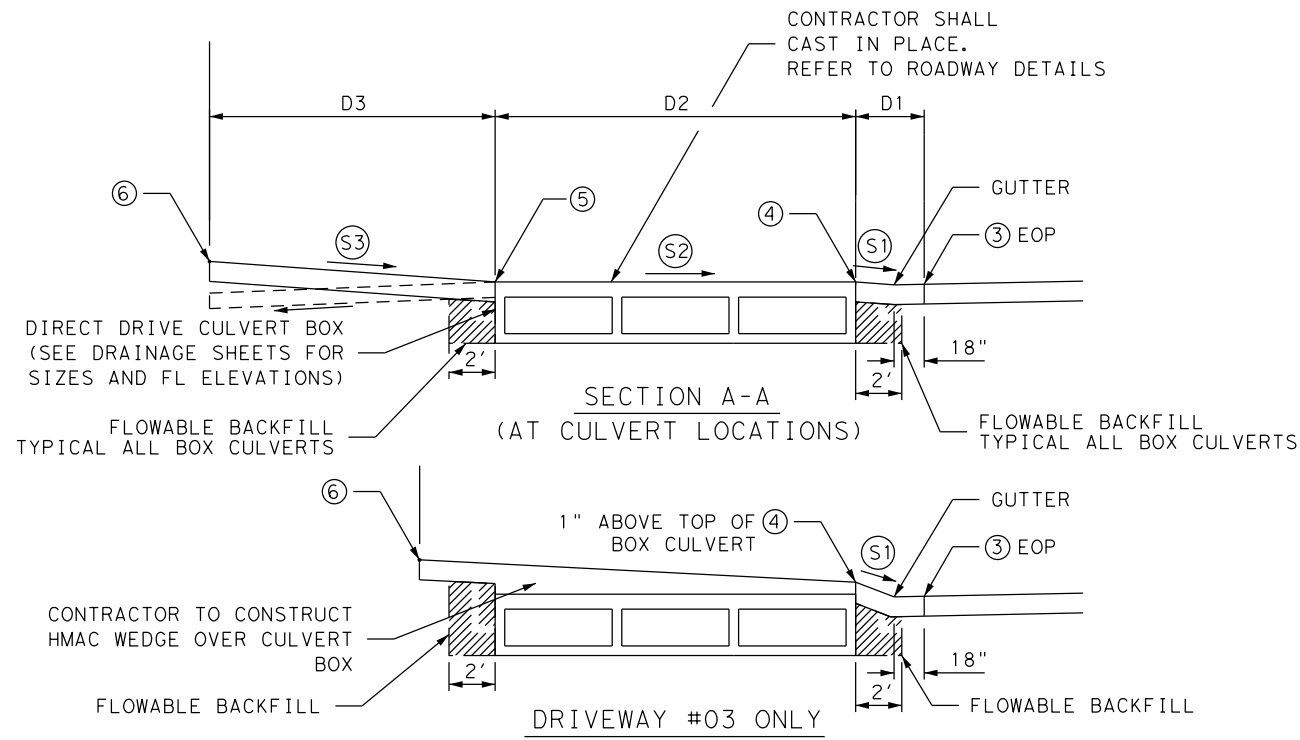
Plan Clarifications

1. Plan Sheet #77 is *REMOVED AND REPLACED* by Plan Sheet #77A1.

Spec Book Updates

1. Submittal of Pre-Proposal Questions deadline extended from June 21st, 2022 to June 28th, 2022.
2. Bid Date has been rescheduled from Tuesday, June 28th, 2022 to Thursday, July 7th, 2022.
3. Bid Tabs have been updated and replaced with Addendum #1 package Bid Tabs attached.

FINAL PLANS



DRIVEWAY NUMBER	DESCRIPTION	R	W	RT/LT	1		2		3		S1	PROPERTY TIE AT DRIVEWAY					S3	D3	
					SOUTH / EAST	NORTH / WEST	TIE	4	D1	S2		5	D2	6					
		RADIUS	DRIVEWAY WIDTH		STATION	LIP EL	STATION	LIP EL	STATION	LIP EL	BEGINNING SLOPE	ELEVATION	DISTANCE FROM LIP TO 4	SLOPE BETWEEN 4 & 5	ELEVATION	DISTANCE BETWEEN 4 & 5	TIE IN ELEVATION	SLOPE BETWEEN 5 & TIE IN POINT	DISTANCE BETWEEN 5 & 6
D01	COMMERCIAL	25	48	RT	105+21.73	2897.23	106+25.00	2897.28	105+76.10	2897.26	0.20%						2897.39		
D02	COMMERCIAL	25	34	LT	146+27.08	2916.70	147+14.08	2917.22	146+70.58	2916.96	3.91%	2917.07	2.67	0.00%	2917.07	26.67	2918.60	6.93%	22.15
D03	COMMERCIAL	25	26	LT	148+59.21	2918.10	149+38.21	2918.57	148+98.71	2918.33	6.37%	2918.50	2.67				2919.74		
D04	RESIDENTIAL	20	33.2	LT	151+25.45	2919.69	151+96.88	2920.12	151+61.16	2919.91	3.90%	2920.01	2.66	0.00%	2920.01	26.67	2920.66	3.27%	19.71
D05	COMMERCIAL	25	20	LT	154+91.88	2921.89	156+67.60	2922.49	155+26.07	2922.15	4.05%	2922.26	2.67	0.00%	2922.30	27.31	2923.58	6.80%	18.92
D06	COMMERCIAL	25	35	LT	159+62.51	2925.72	160+48.43	2926.43	160+05.50	2926.09	3.73%	2926.19	2.66	0.00%	2926.19	26.67	2927.27	7.62%	14.18
D07	COMMERCIAL	25	30	LT	160+53.98	2926.48	161+36.76	2927.16	160+89.98	2926.78	4.02%	2926.89	2.69	0.00%	2926.93	27.26	2927.61	5.94%	11.48
D08	COMMERCIAL	25	30	LT	161+69.19	2927.43	162+50.23	2928.09	162+09.72	2927.76	3.94%	2927.86	2.64	0.00%	2927.86	26.67	2927.89	0.35%	8.55
D09	COMMERCIAL	25	26	LT	173+34.59	2935.26	174+13.59	2935.98	173+74.09	2935.62	1.78%	2935.73	6.17	0.00%	2935.73	18.67	2937.13	6.95%	20.17
D10	COMMERCIAL	25	40	LT	179+36.71	2941.01	180+29.71	2941.92	179+83.21	2941.48	1.62%	2941.58	6.17	0.00%	2941.58	18.67	2944.07	7.79%	31.95
D11	COMMERCIAL	25	40	LT	183+31.11	2944.60	184+24.11	2945.15	183+77.61	2944.88	1.68%	2944.98	6.17	0.00%	2944.98	18.67	2947.30	7.21%	32.15

* CONTRACTOR TO COORDINATE WITH THE CITY AND ENGINEER TO DETERMINE NECESSARY TIE-IN DISTANCES AND GRADES. ALL DRIVEWAYS SHALL CONFORM WITH TXDOT MAXIMUM GRADE BREAKS.

No.	Description	By	Date



Jesus Saenz 122

Kimley Horn F-928



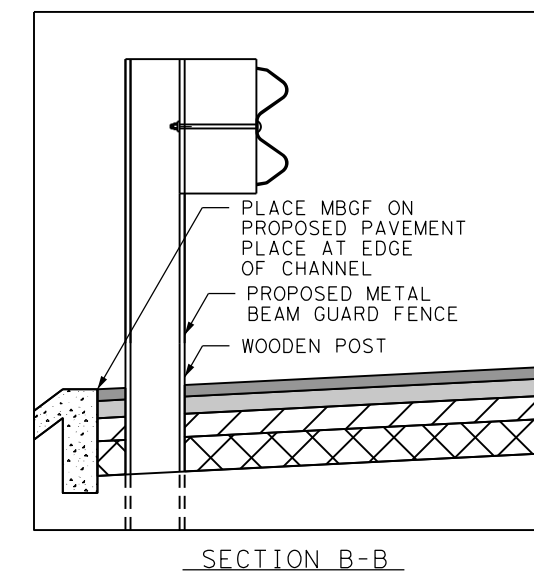
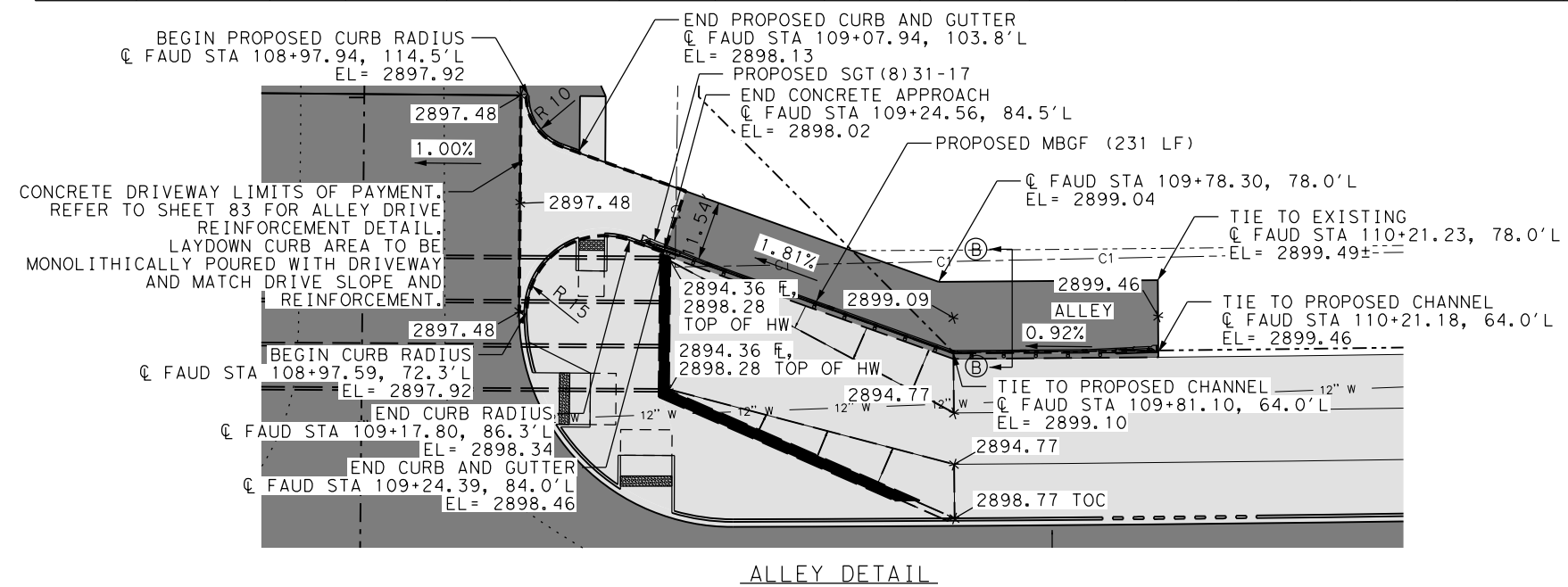
FAUDREE ROAD PAVING IMPROVEMENTS
SH 191 TO YUKON ROAD

ALLEY AND DRIVEWAY DETAILS

SHEET 1 OF 1

DATE: 6/11/2022 DRAWN: JJS KHA NO.: 063685010 77A1
DESIGN: JJS CHECKED: RTC CITY NO.: 190622-30

FILENAME: c:\pwworking\faud\rdw_details\driveway_01.dgn
PLOTTED: 6/11/2022



**PROPOSAL FOR
FAUDREE ROAD PAVING IMPROVEMENTS FAUDREE ROAD PAVING IMPROVEMENTS
Job No. 190622-30**

Base Bid consists of full depth reconstruction with 2" HMAC TY-D over 3" HMAC TY-B over 6" CEMENT-TREATED FLEX BASE over 6" CEMENT-TREATED SUBGRADE.

CITY BID NO.	TXDOT ITEM NO.	QUANTITY	UNIT	DESCRIPTION AND UNIT PRICE IN WORDS	UNIT PRICE	SUB-TOTAL AMOUNT
1	0100	104	STA	Preparing Right of Way as per plans & specs., complete in place for the sum of _____ Dollars and _____ Cents per Station.	\$	\$
2	0104	2,772	SY	Remove existing concrete driveways as per plans & specs., complete in place for the sum of _____ Dollars and _____ Cents per Square Yard.	\$	\$
3	0104	311	LF	Remove existing concrete curb and gutter as per plans & specs., complete in place for the sum of _____ Dollars and _____ Cents per Linear Foot.	\$	\$
4	0105	42,294	SY	Remove stabilized base and asphalt pavement (0"-10") and dispose of as per plans & specs., complete in place for the sum of _____ Dollars and _____ Cents per Square Yard.	\$	\$
5	0110	105,269	CY	Furnish and install roadway and channel excavation as per plans & specs., complete in place for the sum of _____ Dollars and _____ Cents per Cubic Yard.	\$	\$

**PROPOSAL FOR
 FAUDREE ROAD PAVING IMPROVEMENTS FAUDREE ROAD PAVING IMPROVEMENTS
 Job No. 190622-30**

Base Bid consists of full depth reconstruction with 2" HMAC TY-D over 3" HMAC TY-B over 6" CEMENT-TREATED FLEX BASE over 6" CEMENT-TREATED SUBGRADE.

CITY BID NO.	TXDOT ITEM NO.	QUANTITY	UNIT	DESCRIPTION AND UNIT PRICE IN WORDS	UNIT PRICE	SUB-TOTAL AMOUNT
6	0132	841	CY	Furnish and install embankment as per plans & specs., complete in place for the sum of _____ Dollars and _____ Cents per Cubic Yard.	\$	\$
7	0164	15,981	SY	Furnish and install drill seeding as per plans & specs., complete in place for the sum of _____ Dollars and _____ Cents per Square Yard.	\$	\$
8	0168	320	MG	Furnish vegetative watering as per plans & specs., complete in place for the sum of _____ Dollars and _____ Cents per 1,000 Gallon.	\$	\$
9	0216	100	HR	Furnish proof rolling as per plans & specs., complete in place for the sum of _____ Dollars and _____ Cents per Hour.	\$	\$
10	0247	72,737	SY	Furnish and install 6" thick caliche flex base as per plans & specs., complete in place for the sum of _____ Dollars and _____ Cents per Square Yard.	\$	\$

**PROPOSAL FOR
 FAUDREE ROAD PAVING IMPROVEMENTS FAUDREE ROAD PAVING IMPROVEMENTS
 Job No. 190622-30**

Base Bid consists of full depth reconstruction with 2" HMAC TY-D over 3" HMAC TY-B over 6" CEMENT-TREATED FLEX BASE over 6" CEMENT-TREATED SUBGRADE.

CITY BID NO.	TXDOT ITEM NO.	QUANTITY	UNIT	DESCRIPTION AND UNIT PRICE IN WORDS	UNIT PRICE	SUB-TOTAL AMOUNT
11	0275	624	TON	Furnish and install cement (3%) as per plans & specs., complete in place for the sum of _____ Dollars and _____ Cents per Ton.	\$	\$
12	0275	72,737	SY	Cement treat 6" existing material (3%) as per plans & specs., complete in place for the sum of _____ Dollars and _____ Cents per Square Yard.	\$	\$
13	0360	3,892	SY	Furnish and install 8" thick continuously-reinforced concrete pavement as per plans & specs., complete in place for the sum of _____ Dollars and _____ Cents per Square Yard.	\$	\$
14	----	49	EA	Furnish and install 24" street light foundation as per plans & specs., complete in place for the sum of _____ Dollars and _____ Cents per Each.	\$	\$
15	0401	4,778	CY	Furnish and install flowable backfill as per plans & specs., complete in place for the sum of _____ Dollars and _____ Cents per Cubic Yard.	\$	\$

**PROPOSAL FOR
FAUDREE ROAD PAVING IMPROVEMENTS FAUDREE ROAD PAVING IMPROVEMENTS
Job No. 190622-30**

Base Bid consists of full depth reconstruction with 2" HMAC TY-D over 3" HMAC TY-B over 6" CEMENT-TREATED FLEX BASE over 6" CEMENT-TREATED SUBGRADE.

CITY BID NO.	TXDOT ITEM NO.	QUANTITY	UNIT	DESCRIPTION AND UNIT PRICE IN WORDS	UNIT PRICE	SUB-TOTAL AMOUNT
16	0402	4,790	LF	Provide trench excavation protection as per plans & specs., complete in place for the sum of _____ Dollars and _____ Cents per Linear Foot.	\$	\$
17	0432	1,816	CY	Furnish and install 4" thick concrete riprap as per plans & specs., complete in place for the sum of _____ Dollars and _____ Cents per Cubic Yard.	\$	\$
18	0432	1,432	CY	Furnish and install 6" thick concrete riprap as per plans & specs., complete in place for the sum of _____ Dollars and _____ Cents per Cubic Yard.	\$	\$
19	0432	294	CY	Furnish and install 12" thick stone riprap as per plans & specs., complete in place for the sum of _____ Dollars and _____ Cents per Cubic Yard.	\$	\$
20	0432	144	CY	Furnish and install 15" thick stone riprap as per plans & specs., complete in place for the sum of _____ Dollars and _____ Cents per Cubic Yard.	\$	\$

**PROPOSAL FOR
FAUDREE ROAD PAVING IMPROVEMENTS FAUDREE ROAD PAVING IMPROVEMENTS
Job No. 190622-30**

Base Bid consists of full depth reconstruction with 2" HMAC TY-D over 3" HMAC TY-B over 6" CEMENT-TREATED FLEX BASE over 6" CEMENT-TREATED SUBGRADE.

CITY BID NO.	TXDOT ITEM NO.	QUANTITY	UNIT	DESCRIPTION AND UNIT PRICE IN WORDS	UNIT PRICE	SUB-TOTAL AMOUNT
21	0450	144	LF	Furnish and install hand rail as per plans & specs., complete in place for the sum of _____ Dollars and _____ Cents per Linear Foot.	\$	\$
22	0462	179	LF	Furnish and install 3' x 2' pre-cast box culvert as per plans & specs., complete in place for the sum of _____ Dollars and _____ Cents per Linear Foot.	\$	\$
23	0462	685	LF	Furnish and install 3' x 3' pre-cast box culvert as per plans & specs., complete in place for the sum of _____ Dollars and _____ Cents per Linear Foot.	\$	\$
24	0462	78	LF	Furnish and install 4' x 3' pre-cast box culvert as per plans & specs., complete in place for the sum of _____ Dollars and _____ Cents per Linear Foot.	\$	\$
25	0462	29	LF	Furnish and install 5' x 4' pre-cast box culvert as per plans & specs., complete in place for the sum of _____ Dollars and _____ Cents per Linear Foot.	\$	\$

**PROPOSAL FOR
FAUDREE ROAD PAVING IMPROVEMENTS FAUDREE ROAD PAVING IMPROVEMENTS
Job No. 190622-30**

Base Bid consists of full depth reconstruction with 2" HMAC TY-D over 3" HMAC TY-B over 6" CEMENT-TREATED FLEX BASE over 6" CEMENT-TREATED SUBGRADE.

CITY BID NO.	TXDOT ITEM NO.	QUANTITY	UNIT	DESCRIPTION AND UNIT PRICE IN WORDS	UNIT PRICE	SUB-TOTAL AMOUNT
26	0462	269	LF	Furnish and install 8' x 4' pre-cast box culvert as per plans & specs., complete in place for the sum of _____ Dollars and _____ Cents per Linear Foot.	\$	\$
27	0462	3,304	LF	Furnish and install 8' x 3' cast-in-place box culvert as per plans & specs., complete in place for the sum of _____ Dollars and _____ Cents per Linear Foot.	\$	\$
28	0462	99	LF	Furnish and install 6' x 2' pre-cast box culvert as per plans & specs., complete in place for the sum of _____ Dollars and _____ Cents per Linear Foot.	\$	\$
29	0462	2,209	LF	Furnish and install 10' x 4' pre-cast box culvert as per plans & specs., complete in place for the sum of _____ Dollars and _____ Cents per Linear Foot.	\$	\$
30	0464	35	LF	Furnish and install 24" reinforced concrete pipe as per plans & specs., complete in place for the sum of _____ Dollars and _____ Cents per Linear Foot.	\$	\$

**PROPOSAL FOR
 FAUDREE ROAD PAVING IMPROVEMENTS FAUDREE ROAD PAVING IMPROVEMENTS
 Job No. 190622-30**

Base Bid consists of full depth reconstruction with 2" HMAC TY-D over 3" HMAC TY-B over 6" CEMENT-TREATED FLEX BASE over 6" CEMENT-TREATED SUBGRADE.

CITY BID NO.	TXDOT ITEM NO.	QUANTITY	UNIT	DESCRIPTION AND UNIT PRICE IN WORDS	UNIT PRICE	SUB-TOTAL AMOUNT
31	0464	19	LF	Furnish and install 36" reinforced concrete pipe as per plans & specs., complete in place for the sum of _____ Dollars and _____ Cents per Linear Foot.	\$	\$
32	0465	3	EA	Furnish and install 60" manhole as per plans & specs., complete in place for the sum of _____ Dollars and _____ Cents per Each.	\$	\$
33	0465	1	EA	Furnish and install 5' x 5' junction box as per plans & specs., complete in place for the sum of _____ Dollars and _____ Cents per Each.	\$	\$
34	0465	1	EA	Furnish and install 10' x 10' junction box as per plans & specs., complete in place for the sum of _____ Dollars and _____ Cents per Each.	\$	\$
35	0465	2	EA	Furnish and install 6' x 12' junction box as per plans & specs., complete in place for the sum of _____ Dollars and _____ Cents per Each.	\$	\$

**PROPOSAL FOR
 FAUDREE ROAD PAVING IMPROVEMENTS FAUDREE ROAD PAVING IMPROVEMENTS
 Job No. 190622-30**

Base Bid consists of full depth reconstruction with 2" HMA TY-D over 3" HMA TY-B over 6" CEMENT-TREATED FLEX BASE over 6" CEMENT-TREATED SUBGRADE.

CITY BID NO.	TXDOT ITEM NO.	QUANTITY	UNIT	DESCRIPTION AND UNIT PRICE IN WORDS	UNIT PRICE	SUB-TOTAL AMOUNT
36	0465	2	EA	Furnish and install 6' inlet as per plans & specs., complete in place for the sum of _____ Dollars and _____ Cents per Each.	\$	\$
37	0465	2	EA	Furnish and install INLET CI(1)-02(DAL)(15FT) as per plans & specs., complete in place for the sum of _____ Dollars and _____ Cents per Each.	\$	\$
38	0465	2	EA	Furnish and install INLET CI(1)-02(DAL)(20FT) as per plans & specs., complete in place for the sum of _____ Dollars and _____ Cents per Each.	\$	\$
39	0465	2	EA	Furnish and install INLET CI(1)-02-BC(DAL)(20FT) as per plans & specs., complete in place for the sum of _____ Dollars and _____ Cents per Each.	\$	\$
40	0466	15	EA	Furnish and install WINGWALL (TRANSITION) (HW=4 FT) as per plans & specs., complete in place for the sum of _____ Dollars and _____ Cents per Each.	\$	\$

**PROPOSAL FOR
FAUDREE ROAD PAVING IMPROVEMENTS FAUDREE ROAD PAVING IMPROVEMENTS
Job No. 190622-30**

Base Bid consists of full depth reconstruction with 2" HMAC TY-D over 3" HMAC TY-B over 6" CEMENT-TREATED FLEX BASE over 6" CEMENT-TREATED SUBGRADE.

CITY BID NO.	TXDOT ITEM NO.	QUANTITY	UNIT	DESCRIPTION AND UNIT PRICE IN WORDS	UNIT PRICE	SUB-TOTAL AMOUNT
41	0467	3	EA	Furnish and install SET (TY I)(S=10 FT)(HW=5FT)(6:1)(C) as per plans & specs., complete in place for the sum of _____ Dollars and _____ Cents per Each.	\$	\$
42	0467	1	EA	Furnish and install SET (TY I)(S= 6 FT)(HW= 3 FT)(4:1) (C) as per plans & specs., complete in place for the sum of _____ Dollars and _____ Cents per Each.	\$	\$
43	0467	1	EA	Furnish and install SET (TY I)(S= 8 FT)(HW= 4 FT)(4:1) (C) as per plans & specs., complete in place for the sum of _____ Dollars and _____ Cents per Each.	\$	\$
44	0467	6	EA	Furnish and install SET (TY I)(S= 8 FT)(HW= 4 FT)(6:1) (P) as per plans & specs., complete in place for the sum of _____ Dollars and _____ Cents per Each.	\$	\$
45	0479	7	EA	Adjust manhole as per plans & specs., complete in place for the sum of _____ Dollars and _____ Cents per Each.	\$	\$

**PROPOSAL FOR
 FAUDREE ROAD PAVING IMPROVEMENTS FAUDREE ROAD PAVING IMPROVEMENTS
 Job No. 190622-30**

Base Bid consists of full depth reconstruction with 2" HMAC TY-D over 3" HMAC TY-B over 6" CEMENT-TREATED FLEX BASE over 6" CEMENT-TREATED SUBGRADE.

CITY BID NO.	TXDOT ITEM NO.	QUANTITY	UNIT	DESCRIPTION AND UNIT PRICE IN WORDS	UNIT PRICE	SUB-TOTAL AMOUNT
46	0496	340	LF	Remove existing box culvert as per plans & specs., complete in place for the sum of _____ Dollars and _____ Cents per Linear Foot.	\$	\$
47	0496	77	LF	Remove existing masonry wall and electrical as per plans & specs., complete in place for the sum of _____ Dollars and _____ Cents per Linear Foot.	\$	\$
48	0500	1	LS	Mobilization of as per plans & specs., complete in place for the sum of _____ Dollars and _____ Cents per Lump Sum.	\$	\$
49	0529	14,519	LF	Furnish and install city standard curb and gutter (non-reinforced), as per plans & specs, complete in place for the sum of _____ Dollars and _____ Cents per Linear Foot.	\$	\$
50	0529	2,204	LF	Furnish and install sawtooth curb and gutter (non-reinforced), as per plans & specs, complete in place for the sum of _____ Dollars and _____ Cents per Linear Foot.	\$	\$

**PROPOSAL FOR
 FAUDREE ROAD PAVING IMPROVEMENTS FAUDREE ROAD PAVING IMPROVEMENTS
 Job No. 190622-30**

Base Bid consists of full depth reconstruction with 2" HMAC TY-D over 3" HMAC TY-B over 6" CEMENT-TREATED FLEX BASE over 6" CEMENT-TREATED SUBGRADE.

CITY BID NO.	TXDOT ITEM NO.	QUANTITY	UNIT	DESCRIPTION AND UNIT PRICE IN WORDS	UNIT PRICE	SUB-TOTAL AMOUNT
50A1	0529	766	LF	Furnish and install sawtooth curb and gutter (reinforced), as per plans & specs, complete in place for the sum of _____ Dollars and _____ Cents per Linear Foot.	\$	\$
51	0530	115	SY	Furnish and install concrete intersections as per plans & specs., complete in place for the sum of _____ Dollars and _____ Cents per Square Yard.	\$	\$
52	0530	2,167	SY	Furnish and install concrete driveways as per plans & specs., complete in place for the sum of _____ Dollars and _____ Cents per Square Yard.	\$	\$
53	0531	7,431	SY	Furnish and install 4" thick concrete sidewalk as per plans & specs., complete in place for the sum of _____ Dollars and _____ Cents per Square Yard.	\$	\$
54	0531	135	SY	Furnish and install (TY 1) curb ramps as per plans & specs., complete in place for the sum of _____ Dollars and _____ Cents per Square Yard.	\$	\$

**PROPOSAL FOR
FAUDREE ROAD PAVING IMPROVEMENTS FAUDREE ROAD PAVING IMPROVEMENTS
Job No. 190622-30**

Base Bid consists of full depth reconstruction with 2" HMAC TY-D over 3" HMAC TY-B over 6" CEMENT-TREATED FLEX BASE over 6" CEMENT-TREATED SUBGRADE.

CITY BID NO.	TXDOT ITEM NO.	QUANTITY	UNIT	DESCRIPTION AND UNIT PRICE IN WORDS	UNIT PRICE	SUB-TOTAL AMOUNT
55	0531	20	SY	Furnish and install (TY 7) curb ramps as per plans & specs., complete in place for the sum of _____ Dollars and _____ Cents per Square Yard.	\$	\$
56	0531	77	SY	Furnish and install (TY 10) curb ramps as per plans & specs., complete in place for the sum of _____ Dollars and _____ Cents per Square Yard.	\$	\$
57	0531	14	SY	Furnish and install (TY 20) curb ramps as per plans & specs., complete in place for the sum of _____ Dollars and _____ Cents per Square Yard.	\$	\$
58	0536	466	SY	Furnish and install concrete median as per plans & specs., complete in place for the sum of _____ Dollars and _____ Cents per Square Yard.	\$	\$
59	0540	231	LF	Furnish and install metal beam guard fence (wooden post) as per plans & specs., complete in place for the sum of _____ Dollars and _____ Cents per Linear Foot.	\$	\$

**PROPOSAL FOR
 FAUDREE ROAD PAVING IMPROVEMENTS FAUDREE ROAD PAVING IMPROVEMENTS
 Job No. 190622-30**

Base Bid consists of full depth reconstruction with 2" HMAC TY-D over 3" HMAC TY-B over 6" CEMENT-TREATED FLEX BASE over 6" CEMENT-TREATED SUBGRADE.

CITY BID NO.	TXDOT ITEM NO.	QUANTITY	UNIT	DESCRIPTION AND UNIT PRICE IN WORDS	UNIT PRICE	SUB-TOTAL AMOUNT
60	0544	2	EA	Furnish and install guardrail end treatment as per plans & specs., complete in place for the sum of _____ Dollars and _____ Cents per Each.	\$	\$
61	0550	326	LF	Remove existing chain link fence as per plans & specs., complete in place for the sum of _____ Dollars and _____ Cents per Linear Foot.	\$	\$
62	0618	5,515	LF	Furnish and install 2" conduit (SCH 40) PVC as pipe per plans & specs., complete in place for the sum of _____ Dollars and _____ Cents per Linear Foot.	\$	\$
63	0618	2,150	LF	Furnish and install 2" conduit (SCH 80) PVC as pipe per plans & specs., complete in place for the sum of _____ Dollars and _____ Cents per Linear Foot.	\$	\$
64	----	2	EA	Furnish and install 13 x 24 ground box as per plans & specs., complete in place for the sum of _____ Dollars and _____ Cents per Each.	\$	\$

**PROPOSAL FOR
 FAUDREE ROAD PAVING IMPROVEMENTS FAUDREE ROAD PAVING IMPROVEMENTS
 Job No. 190622-30**

Base Bid consists of full depth reconstruction with 2" HMAC TY-D over 3" HMAC TY-B over 6" CEMENT-TREATED FLEX BASE over 6" CEMENT-TREATED SUBGRADE.

CITY BID NO.	TXDOT ITEM NO.	QUANTITY	UNIT	DESCRIPTION AND UNIT PRICE IN WORDS	UNIT PRICE	SUB-TOTAL AMOUNT
65	3076	72,737	SY	Furnish and install 3" HMAC (Type B) as per plans & specs., complete in place for the sum of _____ Dollars and _____ Cents per Square Yard.	\$	\$
66	3076	72,737	SY	Furnish and install 2" HMAC (Type D) as per plans & specs., complete in place for the sum of _____ Dollars and _____ Cents per Square Yard.	\$	\$
67	5003	8	EA	Furnish and retrofit detectable warning surface as per plans & specs., complete in place for the sum of _____ Dollars and _____ Cents per Each.	\$	\$
68	5033	11	EA	Remove existing bollards as per plans & specs., complete in place for the sum of _____ Dollars and _____ Cents per Each.	\$	\$
69	----	160	LF	Furnish and install 27" water pipe as per plans & specs., complete in place for the sum of _____ Dollars and _____ Cents per Linear Foot.	\$	\$

**PROPOSAL FOR
 FAUDREE ROAD PAVING IMPROVEMENTS FAUDREE ROAD PAVING IMPROVEMENTS
 Job No. 190622-30**

Base Bid consists of full depth reconstruction with 2" HMAC TY-D over 3" HMAC TY-B over 6" CEMENT-TREATED FLEX BASE over 6" CEMENT-TREATED SUBGRADE.

CITY BID NO.	TXDOT ITEM NO.	QUANTITY	UNIT	DESCRIPTION AND UNIT PRICE IN WORDS	UNIT PRICE	SUB-TOTAL AMOUNT
70	----	1	LS	Furnish and install C303 fittings as per plans & specs., complete in place for the sum of _____ Dollars and _____ Cents per Lump Sum.	\$	\$
71	----	2	EA	Connect proposed 27" water line to existing 27" water line as per plans & specs., complete in place for the sum of _____ Dollars and _____ Cents per Each.	\$	\$
72	----	127	LF	Furnish and install 48" steel casing (by other than open cut) as per plans & specs., complete in place for the sum of _____ Dollars and _____ Cents per Linear Foot.	\$	\$
73	----	1,750	LF	Furnish and install 12" water pipe (PVC C-900 DR-18) as per plans & specs., complete in place for the sum of _____ Dollars and _____ Cents per Linear Foot.	\$	\$
74	----	96	LF	Furnish and install 10" water pipe (PVC C-900 DR-18) as per plans & specs., complete in place for the sum of _____ Dollars and _____ Cents per Linear Foot.	\$	\$

**PROPOSAL FOR
FAUDREE ROAD PAVING IMPROVEMENTS FAUDREE ROAD PAVING IMPROVEMENTS
Job No. 190622-30**

Base Bid consists of full depth reconstruction with 2" HMA TY-D over 3" HMA TY-B over 6" CEMENT-TREATED FLEX BASE over 6" CEMENT-TREATED SUBGRADE.

CITY BID NO.	TXDOT ITEM NO.	QUANTITY	UNIT	DESCRIPTION AND UNIT PRICE IN WORDS	UNIT PRICE	SUB-TOTAL AMOUNT
75	----	282	LF	Furnish and install 6" water pipe (PVC C-900 DR-18) as per plans & specs., complete in place for the sum of _____ Dollars and _____ Cents per Linear Foot.	\$	\$
76	----	3	EA	Furnish and install 12" resilient wedge gate valve as per plans & specs., complete in place for the sum of _____ Dollars and _____ Cents per Each.	\$	\$
77	----	1	EA	Furnish and install 10" resilient wedge gate valve as per plans & specs., complete in place for the sum of _____ Dollars and _____ Cents per Each.	\$	\$
78	----	8	EA	Furnish and install 6" resilient wedge gate valve as per plans & specs., complete in place for the sum of _____ Dollars and _____ Cents per Each.	\$	\$
79	----	5	TON	Furnish and install ductile iron fittings as per plans & specs., complete in place for the sum of _____ Dollars and _____ Cents per Ton.	\$	\$

**PROPOSAL FOR
FAUDREE ROAD PAVING IMPROVEMENTS FAUDREE ROAD PAVING IMPROVEMENTS
Job No. 190622-30**

Base Bid consists of full depth reconstruction with 2" HMAC TY-D over 3" HMAC TY-B over 6" CEMENT-TREATED FLEX BASE over 6" CEMENT-TREATED SUBGRADE.

CITY BID NO.	TXDOT ITEM NO.	QUANTITY	UNIT	DESCRIPTION AND UNIT PRICE IN WORDS	UNIT PRICE	SUB-TOTAL AMOUNT
80	----	8	EA	Furnish and install fire hydrant assembly as per plans & specs., complete in place for the sum of _____ Dollars and _____ Cents per Each.	\$	\$
81	----	9	EA	Connect to existing water lines as per plans & specs., complete in place for the sum of _____ Dollars and _____ Cents per Each.	\$	\$
82	----	7	EA	Cut and cap existing water lines as per plans & specs., complete in place for the sum of _____ Dollars and _____ Cents per Each.	\$	\$
83	----	6	EA	Remove and relocate existing fire hydrant assembly as per plans & specs., complete in place for the sum of _____ Dollars and _____ Cents per Each.	\$	\$
84	----	2,080	LF	Remove existing 12" PVC water line as per plans & specs., complete in place for the sum of _____ Dollars and _____ Cents per Linear Foot.	\$	\$

**PROPOSAL FOR
 FAUDREE ROAD PAVING IMPROVEMENTS FAUDREE ROAD PAVING IMPROVEMENTS
 Job No. 190622-30**

Base Bid consists of full depth reconstruction with 2" HMAC TY-D over 3" HMAC TY-B over 6" CEMENT-TREATED FLEX BASE over 6" CEMENT-TREATED SUBGRADE.

CITY BID NO.	TXDOT ITEM NO.	QUANTITY	UNIT	DESCRIPTION AND UNIT PRICE IN WORDS	UNIT PRICE	SUB-TOTAL AMOUNT
85	----	61	LF	Remove existing 6" PVC water line as per plans & specs., complete in place for the sum of _____ Dollars and _____ Cents per Linear Foot.	\$	\$
86	----	1	EA	Remove existing gate valve as per plans & specs., complete in place for the sum of _____ Dollars and _____ Cents per Each.	\$	\$
87	----	4	EA	Abandon existing gate valve as per plans & specs., complete in place for the sum of _____ Dollars and _____ Cents per Each.	\$	\$
88	----	3	EA	Remove and replace existing CMP culverts as per plans & specs., complete in place for the sum of _____ Dollars and _____ Cents per Each.	\$	\$
89	----	125	LF	Furnish and install 18" sewer pipe (SDR-26 ASTM D2241) as per plans & specs., complete in place for the sum of _____ Dollars and _____ Cents per Linear Foot.	\$	\$

**PROPOSAL FOR
FAUDREE ROAD PAVING IMPROVEMENTS FAUDREE ROAD PAVING IMPROVEMENTS
Job No. 190622-30**

Base Bid consists of full depth reconstruction with 2" HMAC TY-D over 3" HMAC TY-B over 6" CEMENT-TREATED FLEX BASE over 6" CEMENT-TREATED SUBGRADE.

CITY BID NO.	TXDOT ITEM NO.	QUANTITY	UNIT	DESCRIPTION AND UNIT PRICE IN WORDS	UNIT PRICE	SUB-TOTAL AMOUNT
90	----	23	LF	Furnish and install 15" sewer pipe (SDR-26 ASTM D2241) as per plans & specs., complete in place for the sum of _____ Dollars and _____ Cents per Linear Foot.	\$	\$
91	----	100	LF	Furnish and install 30" steel casing (by other than open cut) as per plans & specs., complete in place for the sum of _____ Dollars and _____ Cents per Linear Foot.	\$	\$
92	----	2	EA	Furnish and install 60" diameter fiberglass sewer manhole as per plans & specs., complete in place for the sum of _____ Dollars and _____ Cents per Each.	\$	\$
93	----	6	EA	Furnish and install sanitary sewer plug as per plans & specs., complete in place for the sum of _____ Dollars and _____ Cents per Each.	\$	\$
94	----	2	EA	Perform vacuum testing for sanitary sewer manhole as per plans & specs., complete in place for the sum of _____ Dollars and _____ Cents per Each.	\$	\$

**PROPOSAL FOR
 FAUDREE ROAD PAVING IMPROVEMENTS FAUDREE ROAD PAVING IMPROVEMENTS
 Job No. 190622-30**

Base Bid consists of full depth reconstruction with 2" HMAC TY-D over 3" HMAC TY-B over 6" CEMENT-TREATED FLEX BASE over 6" CEMENT-TREATED SUBGRADE.

CITY BID NO.	TXDOT ITEM NO.	QUANTITY	UNIT	DESCRIPTION AND UNIT PRICE IN WORDS	UNIT PRICE	SUB-TOTAL AMOUNT
95	----	191	SY	Perform trench pavement repair as per plans & specs., complete in place for the sum of _____ Dollars and _____ Cents per Square Yard.	\$	\$
96	----	4,350	LF	Furnish and install trench safety as per plans & specs., complete in place for the sum of _____ Dollars and _____ Cents per Linear Foot.	\$	\$
97	----	1	LS	Furnish and install traffic signal at 56th and Faudree as per plans & specs., complete in place for the sum of _____ Dollars and _____ Cents per Lump Sum.	\$	\$
98	----	1	LS	Traffic control - furnish and install all barricades, signs, flagmen and warning lights as necessary, complete in place (including maintenance throughout the duration of the project) for the sum of _____ Dollars and _____ Cents per Lump Sum.	\$	\$

**PROPOSAL FOR
 FAUDREE ROAD PAVING IMPROVEMENTS FAUDREE ROAD PAVING IMPROVEMENTS
 Job No. 190622-30**

Base Bid consists of full depth reconstruction with 2" HMAC TY-D over 3" HMAC TY-B over 6" CEMENT-TREATED FLEX BASE over 6" CEMENT-TREATED SUBGRADE.

CITY BID NO.	TXDOT ITEM NO.	QUANTITY	UNIT	DESCRIPTION AND UNIT PRICE IN WORDS	UNIT PRICE	SUB-TOTAL AMOUNT
99	----	1	LS	SWPPP - furnish and install concrete washouts as necessary, sweep construction area daily, apply for an NOI and manage paperwork and logs, complete in place (including maintenance throughout the duration of the project) for the sum of _____ Dollars and _____ Cents per Lump Sum.	\$	\$

TOTAL BASE BID \$ _____

_____ Dollars and

_____ Cents

_____ Working Days for Construction

_____ Date to Begin Work

(No earlier than September 12, 2022)

**PROPOSAL FOR
FAUDREE ROAD PAVING IMPROVEMENTS FAUDREE ROAD PAVING IMPROVEMENTS
Job No. 190622-30**

BASE BID WITH ALTERNATE #1

Alternate #1 is for the purpose of changing the base bid pavement section to 2" HMAC TY-D over 3" HMAC TY-B over 4" CEMENT-TREATED FLEX BASE over 6" CEMENT-TREATED SUBGRADE.

***Base bid pavement section items/quantities removed.**

CITY BID NO.	TXDOT ITEM NO.	QUANTITY	UNIT	DESCRIPTION AND UNIT PRICE IN WORDS	UNIT PRICE	SUB-TOTAL AMOUNT
*5	110	(4,041)	CY	Furnish and install roadway and channel excavation as per plans & specs., complete in place for the sum of _____ Dollars and _____ Cents per Cubic Yard.	\$	\$
*10	0247	(72,737)	SY	Furnish and install 6" thick caliche flex base as per plans & specs., complete in place for the sum of _____ Dollars and _____ Cents per Square Yard.	\$	\$
*11	0275	(624)	TON	Furnish and install cement (3%) as per plans & specs., complete in place for the sum of _____ Dollars and _____ Cents per Ton.	\$	\$
*12	0275	(72,737)	SY	Cement treat 6" existing material (3%) as per plans & specs., complete in place for the sum of _____ Dollars and _____ Cents per Square Yard.	\$	\$
*65	3076	(72,737)	SY	Furnish and install 3" HMAC (Type B) as per plans & specs., complete in place for the sum of _____ Dollars and _____ Cents per Square Yard.	\$	\$

**PROPOSAL FOR
FAUDREE ROAD PAVING IMPROVEMENTS FAUDREE ROAD PAVING IMPROVEMENTS
Job No. 190622-30**

BASE BID WITH ALTERNATE #1

Alternate #1 is for the purpose of changing the base bid pavement section to 2" HMAC TY-D over 3" HMAC TY-B over 4" CEMENT-TREATED FLEX BASE over 6" CEMENT-TREATED SUBGRADE.

***Base bid pavement section items/quantities removed.**

CITY BID NO.	TXDOT ITEM NO.	QUANTITY	UNIT	DESCRIPTION AND UNIT PRICE IN WORDS	UNIT PRICE	SUB-TOTAL AMOUNT
*66	3076	(72,737)	SY	Furnish and install 2" HMAC (Type D) as per plans & specs., complete in place for the sum of _____ Dollars and _____ Cents per Square Yard.	\$	\$
100	0247	72,737	SY	Furnish and install 4" thick caliche flex base as per plans & specs., complete in place for the sum of _____ Dollars and _____ Cents per Square Yard.	\$	\$
11	0275	1,051	TON	Furnish and install cement (3%) as per plans & specs., complete in place for the sum of _____ Dollars and _____ Cents per Ton.	\$	\$
12	0275	72,737	SY	Cement treat 6" existing material (3%) as per plans & specs., complete in place for the sum of _____ Dollars and _____ Cents per Square Yard.	\$	\$
101	0275	72,737	SY	Cement treat new 4" base material as per plans & specs., complete in place for the sum of _____ Dollars and _____ Cents per Square Yard.	\$	\$

**PROPOSAL FOR
 FAUDREE ROAD PAVING IMPROVEMENTS FAUDREE ROAD PAVING IMPROVEMENTS
 Job No. 190622-30**

BASE BID WITH ALTERNATE #1

Alternate #1 is for the purpose of changing the base bid pavement section to 2" HMAC TY-D over 3" HMAC TY-B over 4" CEMENT-TREATED FLEX BASE over 6" CEMENT-TREATED SUBGRADE.

***Base bid pavement section items/quantities removed.**

CITY BID NO.	TXDOT ITEM NO.	QUANTITY	UNIT	DESCRIPTION AND UNIT PRICE IN WORDS	UNIT PRICE	SUB-TOTAL AMOUNT
65	3076	72,737	SY	Furnish and install 3" HMAC (Type B) as per plans & specs., complete in place for the sum of _____ Dollars and _____ Cents per Square Yard.	\$	\$
66	3076	72,737	SY	Furnish and install 2" HMAC (Type D) as per plans & specs., complete in place for the sum of _____ Dollars and _____ Cents per Square Yard.	\$	\$

TOTAL ALTERNATE #1 BID \$ _____

_____ Dollars and

_____ Cents

_____ Working Days for Construction

_____ Date to Begin Work

(No earlier than September 12, 2022)

**PROPOSAL FOR
 FAUDREE ROAD PAVING IMPROVEMENTS FAUDREE ROAD PAVING IMPROVEMENTS
 Job No. 190622-30**

BASE BID WITH ALTERNATE #2

Alternate #2 is for the purpose of changing the base bid pavement section to 2" HMAC TY-D over 5" HMAC TY-B over 6" CEMENT-TREATED SUBGRADE.

***Base bid pavement section items/quantities removed.**

CITY BID NO.	TXDOT ITEM NO.	QUANTITY	UNIT	DESCRIPTION AND UNIT PRICE IN WORDS	UNIT PRICE	SUB-TOTAL AMOUNT
*5	110	(8,082)	CY	Furnish and install roadway and channel excavation as per plans & specs., complete in place for the sum of _____ Dollars and _____ Cents per Cubic Yard.	\$	\$
*10	0247	(72,737)	SY	Furnish and install 6" thick caliche flex base as per plans & specs., complete in place for the sum of _____ Dollars and _____ Cents per Square Yard.	\$	\$
*11	0275	(624)	TON	Furnish and install cement (3%) as per plans & specs., complete in place for the sum of _____ Dollars and _____ Cents per Ton.	\$	\$
*12	0275	(72,737)	SY	Cement treat 6" existing material (3%) as per plans & specs., complete in place for the sum of _____ Dollars and _____ Cents per Square Yard.	\$	\$
*65	3076	(72,737)	SY	Furnish and install 3" HMAC (Type B) as per plans & specs., complete in place for the sum of _____ Dollars and _____ Cents per Square Yard.	\$	\$

**PROPOSAL FOR
 FAUDREE ROAD PAVING IMPROVEMENTS FAUDREE ROAD PAVING IMPROVEMENTS
 Job No. 190622-30**

BASE BID WITH ALTERNATE #2

Alternate #2 is for the purpose of changing the base bid pavement section to 2" HMAC TY-D over 5" HMAC TY-B over 6" CEMENT-TREATED SUBGRADE.

***Base bid pavement section items/quantities removed.**

CITY BID NO.	TXDOT ITEM NO.	QUANTITY	UNIT	DESCRIPTION AND UNIT PRICE IN WORDS	UNIT PRICE	SUB-TOTAL AMOUNT
*66	3076	(72,737)	SY	Furnish and install 2" HMAC (Type D) as per plans & specs., complete in place for the sum of _____ Dollars and _____ Cents per Square Yard.	\$	\$
11	0275	624	TON	Furnish and install cement (3%) as per plans & specs., complete in place for the sum of _____ Dollars and _____ Cents per Ton.	\$	\$
12	0275	72,737	SY	Cement treat 6" existing material (3%) as per plans & specs., complete in place for the sum of _____ Dollars and _____ Cents per Square Yard.	\$	\$
102	3076	72,737	SY	Furnish and install 5" HMAC (Type B) as per plans & specs., complete in place for the sum of _____ Dollars and _____ Cents per Square Yard.	\$	\$

**PROPOSAL FOR
 FAUDREE ROAD PAVING IMPROVEMENTS FAUDREE ROAD PAVING IMPROVEMENTS
 Job No. 190622-30**

BASE BID WITH ALTERNATE #2

Alternate #2 is for the purpose of changing the base bid pavement section to 2" HMAC TY-D over 5" HMAC TY-B over 6" CEMENT-TREATED SUBGRADE.

***Base bid pavement section items/quantities removed.**

CITY BID NO.	TXDOT ITEM NO.	QUANTITY	UNIT	DESCRIPTION AND UNIT PRICE IN WORDS	UNIT PRICE	SUB-TOTAL AMOUNT
66	3076	72,737	SY	Furnish and install 2" HMAC (Type D) as per plans & specs., complete in place for the sum of _____ Dollars and _____ Cents per Square Yard.	\$	\$

TOTAL ALTERNATE #2 BID \$ _____

_____ Dollars and

_____ Cents

_____ Working Days for Construction

_____ Date to Begin Work

(No earlier than September 12, 2022)